

Product End-of-Life Instructions

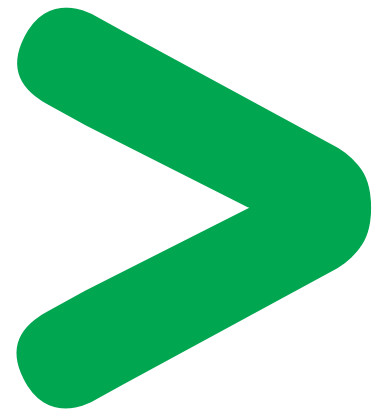
Harmony™ 9001KT Push-to-Test Pilot Light with Resistor type Light Module

Product Range

Harmony™ 9001KT Push-to-Test Pilot Light with Resistor type Light Module

Marketing Model

9001KT●●, 9001KT●●A31, 9001KT●●C31, 9001KT●●C6, 9001KT●●C9, 9001KT●●R9, 9001KT●●A6, 9001KT●●A9, 9001KT●●G31, 9001KT●●R31, 9001KT●●G9, 9001KT●●G6, 9001KT●●L9, 9001KT●●R6, 9001KT●●W31, 9001KT●●W9, 9001KT●●Y9, 9001KT●●L6, 9001KT●●W6, 9001KT●●Y6, 9001KT●●L31, 9001KT●●LGG31, 9001KT●●LGG9, 9001KT●●LLL31, 9001KT●●LR, 9001KT●●LRR31, 9001KT●●LRR9, 9001KT●●LWW31, 9001KT●●LYA31, 9001KT●●LYY31, 9001KT●●LRR6, 9001KT●●LYA9, 9001KT●●●●●Y238, 9001KT38D●●●●●●●●Y238, 9001KT38L●●31Y238, 9001KT36S3●●, 9001KT36S3W31, 9001KT38●●S6●●31, 9001KT38G31Y243, 9001KT38LG●●●●, 9001KT38LRA31, 9001KT38LRC31, 9001KT38●●, 9001KT38LWA31, 9001KT38LWW●, 9001KT38LYC31, 9001KT38R31Y243, 9001KT38S5●●, 9001KT38S5●●●●, 9001KT38S5L9Y238, 9001KT38●●●●●, 9001KT38Y31, 9001KT38Y6Y243



Size in mm:

H x L x D: 42 x 54 x 104

Weight (excluding packaging) in g:

Between 160 and 175

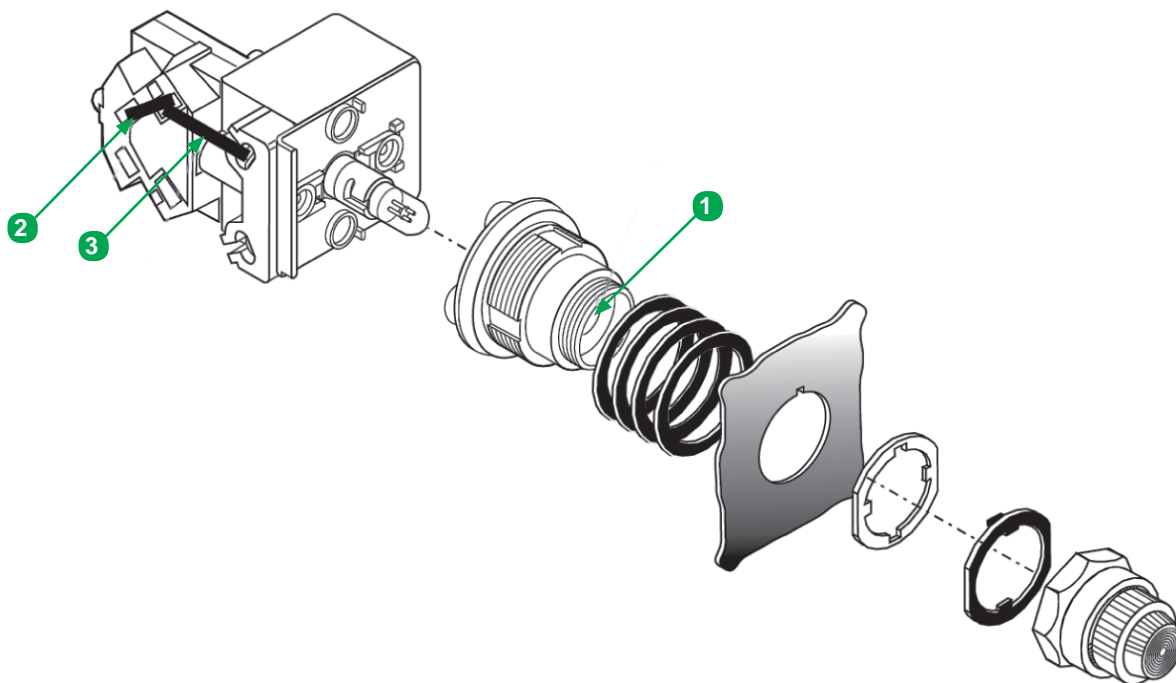


Operations recommended for the end of life treatment

There are several steps to process the products at the end of life so as to recover components, materials or energy :

Reuse ⇒ **Separation for special treatment** ⇒ **Other dismantling** ⇒ **Shredding**

The components of the products that optimize the recycling performances are listed, identified and located hereunder.



Recommendation	Number on drawing	Components	Weight (g)	Comment
Operating hazards : Preloaded spring	1	Coil Spring	1.7	Part ejections
Special treatment : De-pollution	2	External electric cables	0.24	1 part
	3	External electric cables	0.30	1 part

Schneider Electric Industries SAS

35, rue Joseph Monier
CS30323
F - 92506 Rueil Malmaison Cedex

RCS Nanterre 954 503 439
Capital social 896 313 776 €
www.schneider-electric.com

The version of the Guide used to create the document: End of Life Instruction Drafting Guide of Schneider Electric version V1.

Publication : Schneider Electric